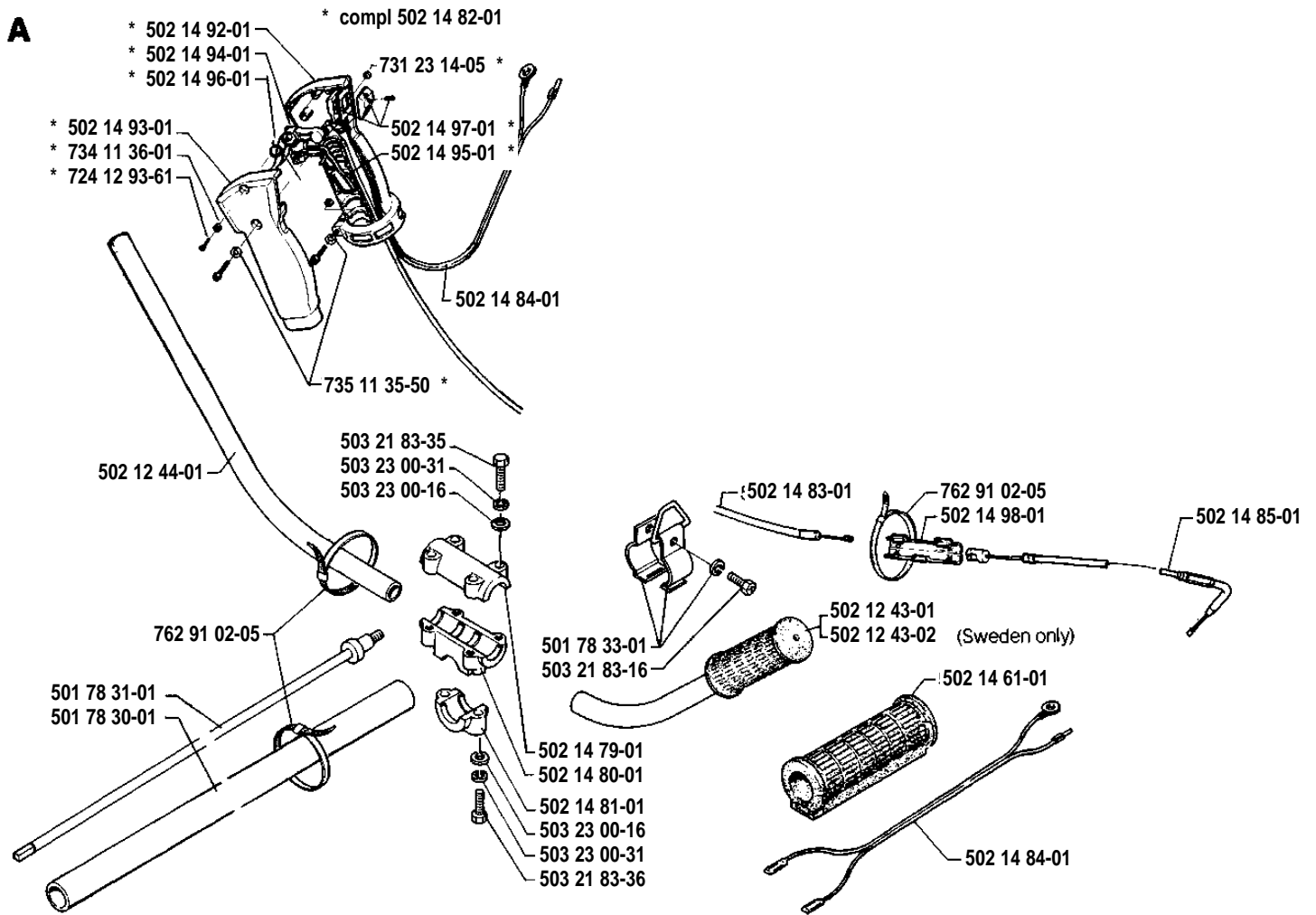
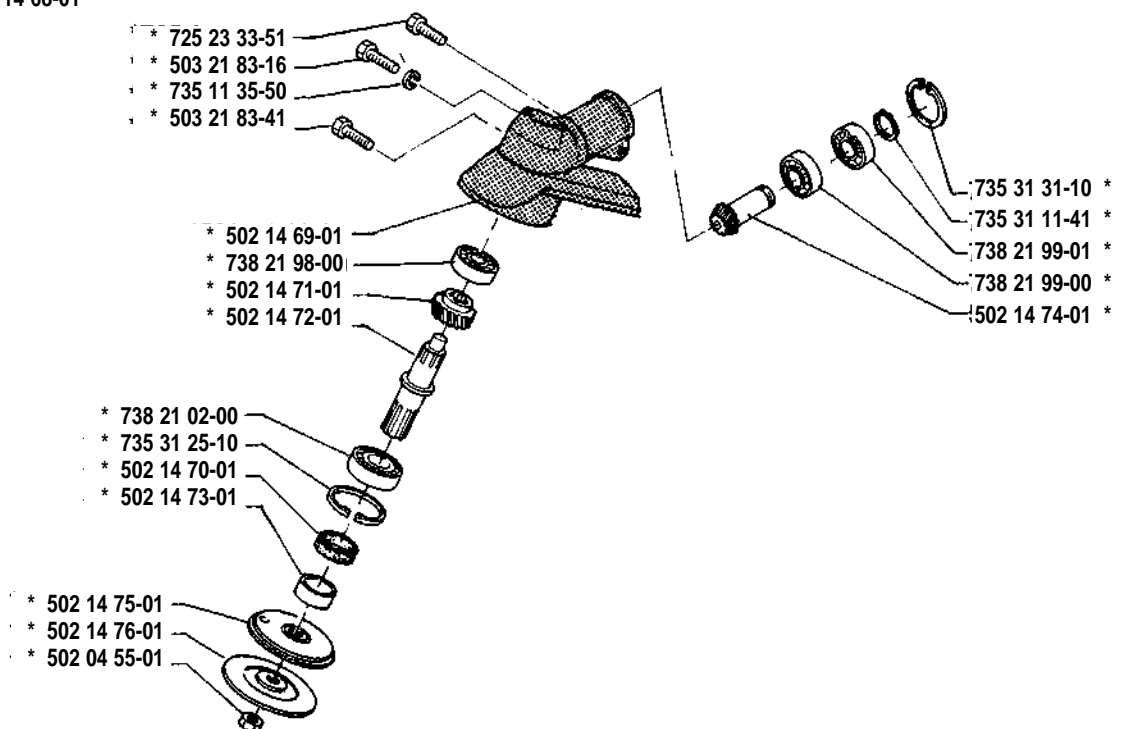


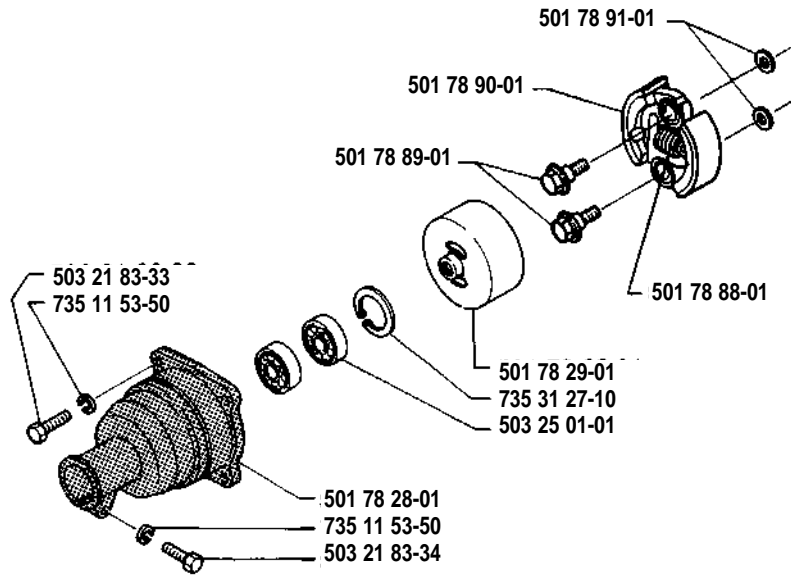
A



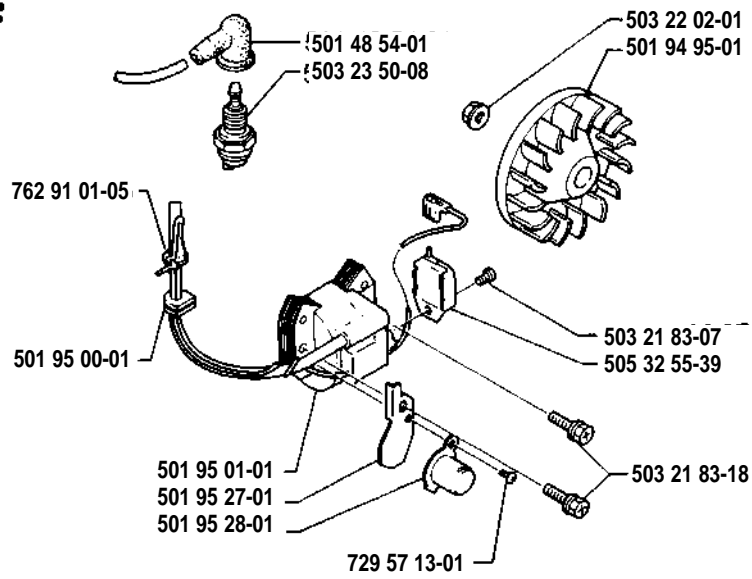
J * compl 502 14 68-01



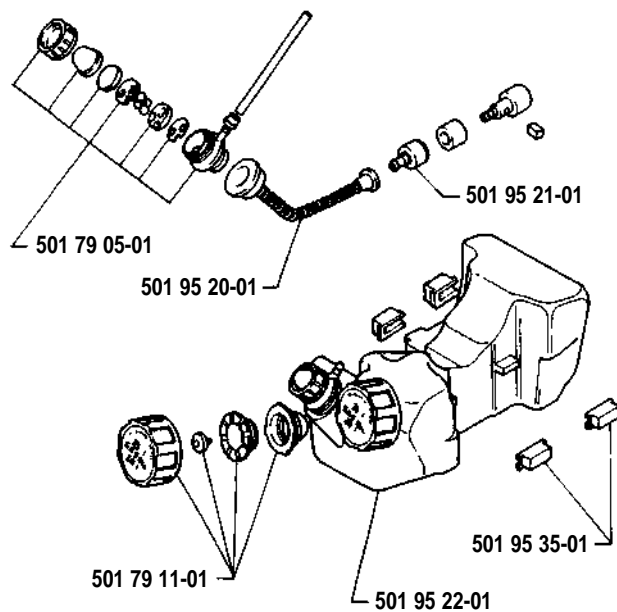
B



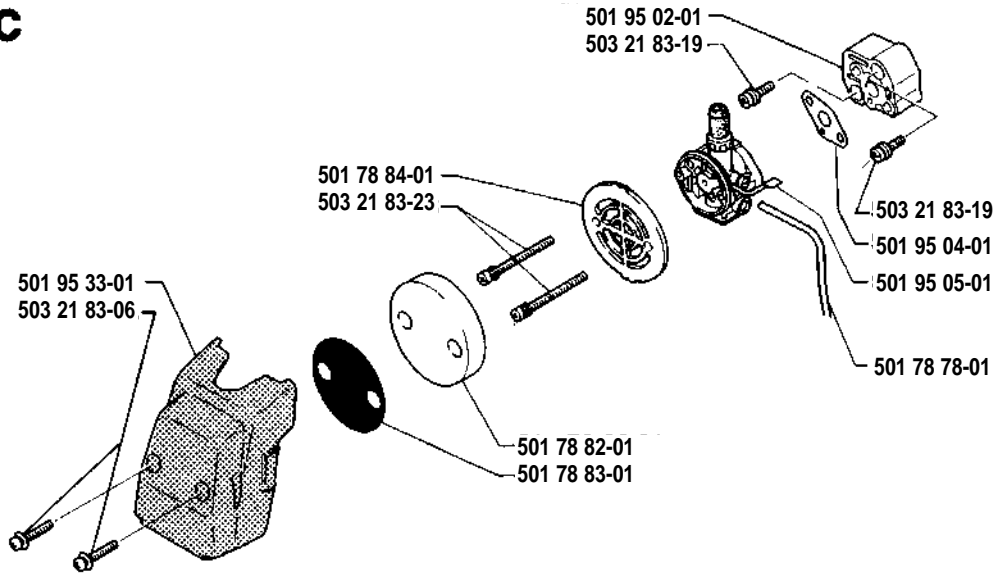
F



K

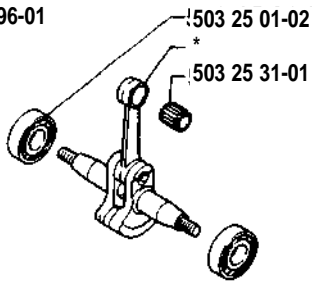


C

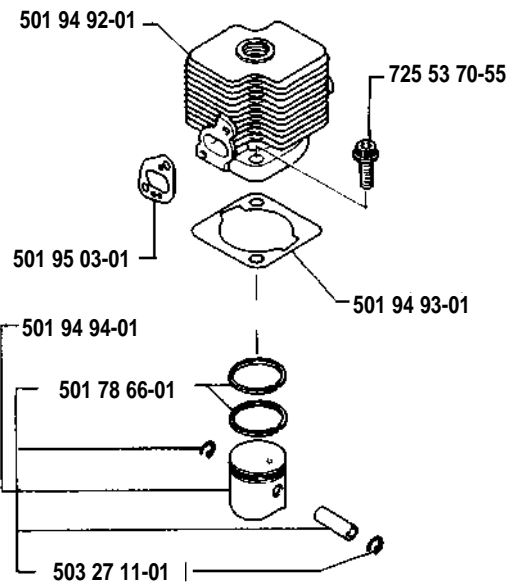


G

* compl 501 94 96-01

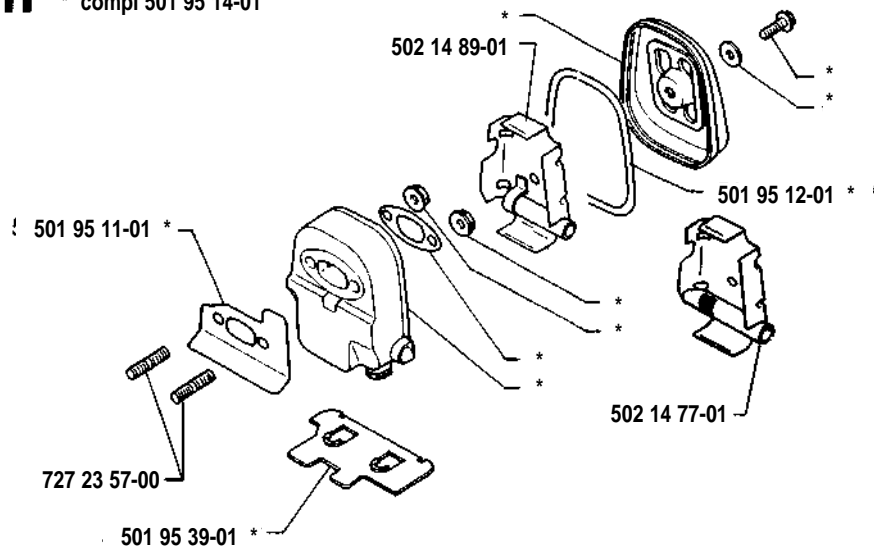


D

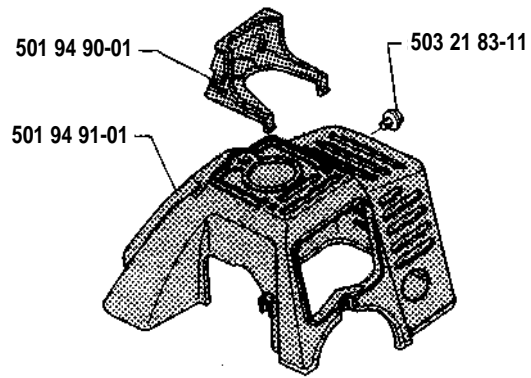


H

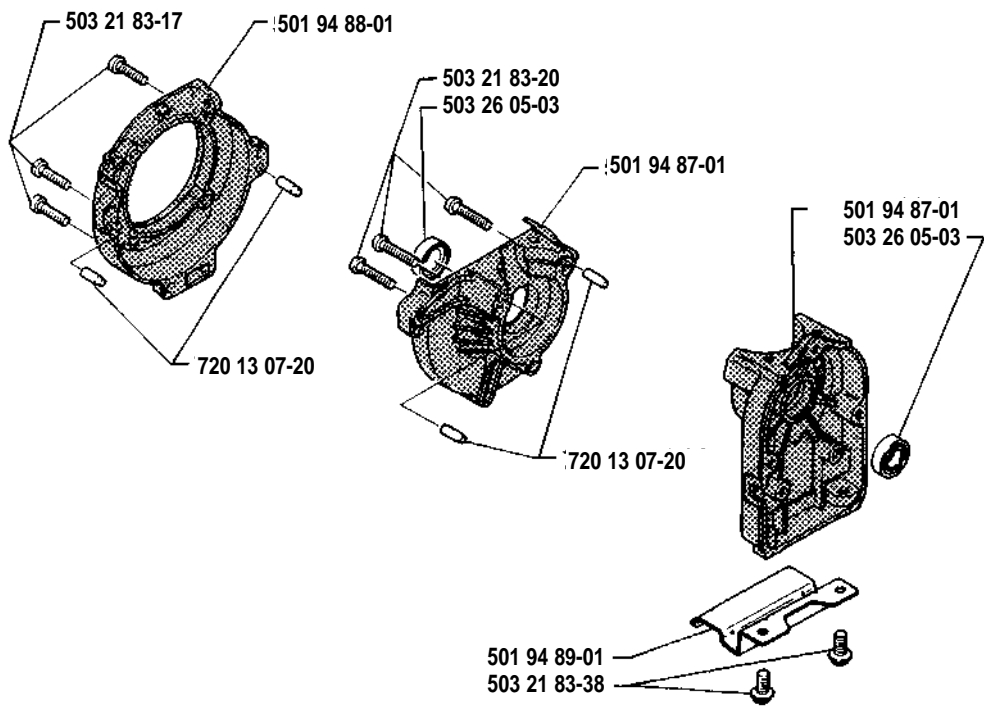
* compl 501 95 14-01



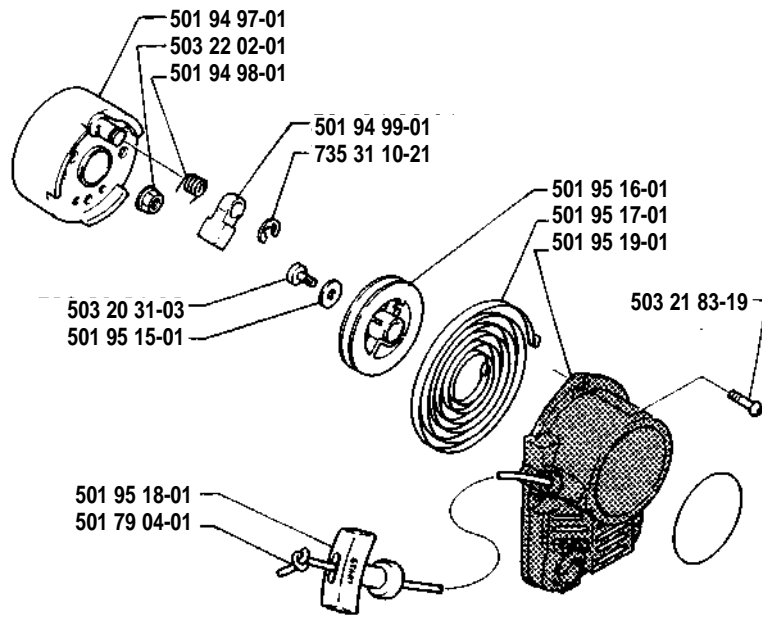
E



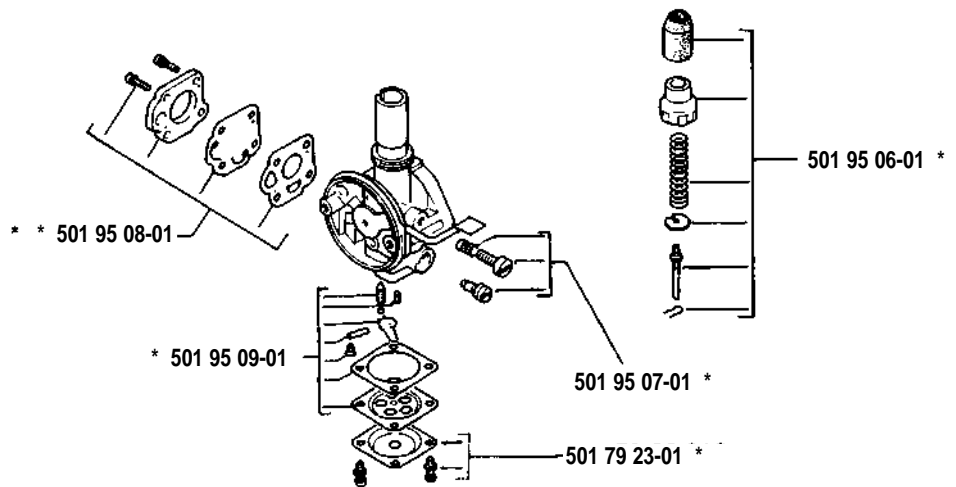
L



M



N * compl 501 95 05-01



O

Tillbehör Accessories Zubehöre Accessoires Tarvikkeet

